

DSP9213 HD Camera



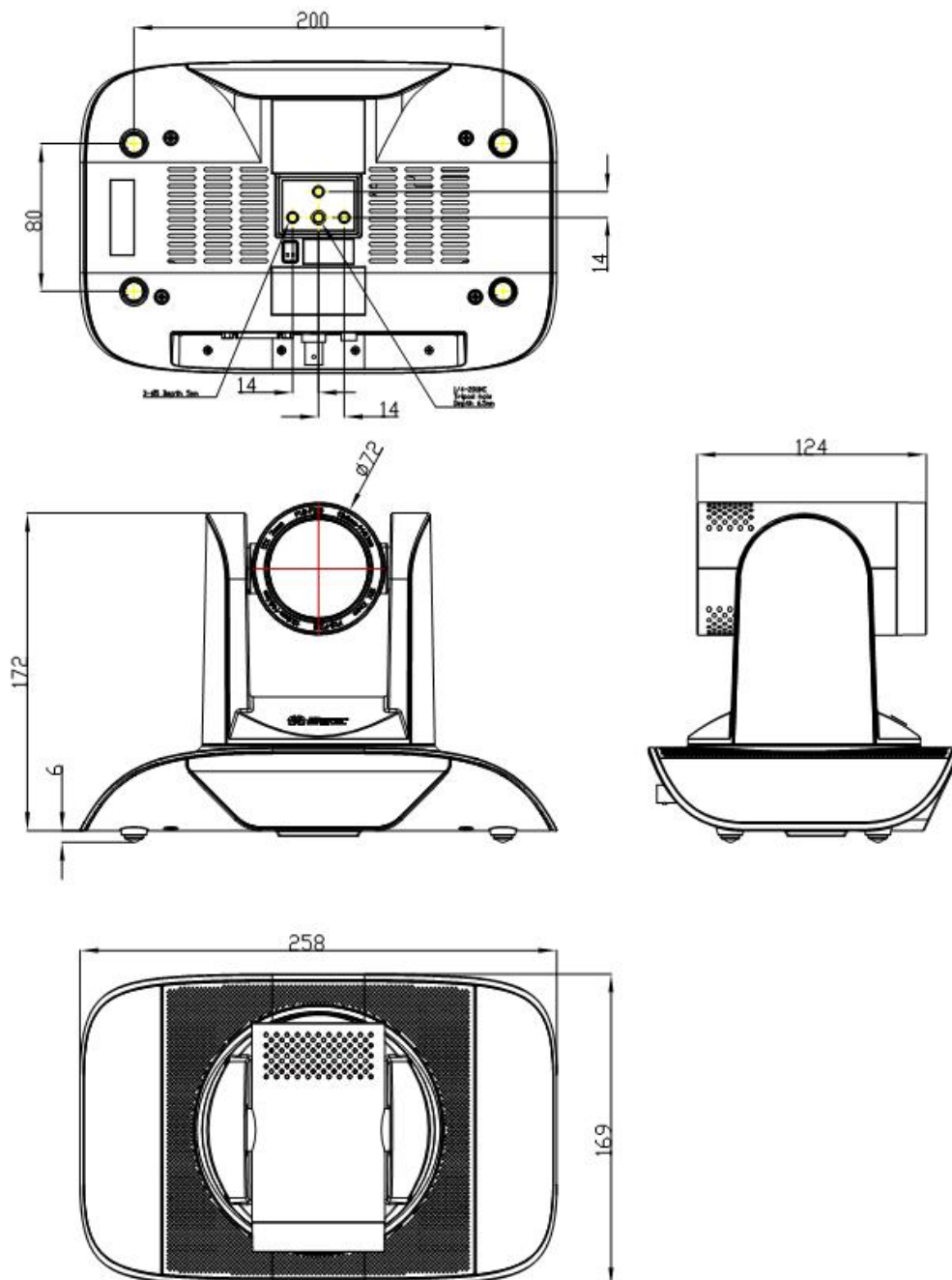
Features

- Full HD image: 1/2.8 inch high-quality image sensor, max resolution 1920x1080, output frame up to 60 frame/second
- Multiple optical lenses: Optional 12X, 20X and other optical lenses, 12 times-fold optical varifocal lens with 72.5° distortion-free wide angle of view
- Leading auto-focus technology: Advanced autofocus algorithms enable fast, accurate, and stable autofocus of the lens
- Low noise and high SNR: Low noise CMOS guarantees the ultra-high SNR and reduces noise with advanced 2D, 3D noise reduction technology
- Audio input interface: Support 16000, 32000, 44100, 48000 sampling frequency, support AAC, MP3, PCM audio encoding
- Super silent gimbal: High precision stepper motor and motor drive controller
- Multiple video output interfaces: Support DVI (HDMI, YPBPR), 3G-SDI, USB, wired LAN, and wireless LAN interface (5G WiFi module), and 3G-SDI transmission distance up to 100m in 1080P60 format
- Multiple audio and video compression standards: Support H.265/H.264 video compression, AAC, MP3, PCM audio compression, up to 1920x1080 resolution 60 FPS compression, 2-channel 1920x1080 resolution 30 frame/s compression
- Multiple network protocols: Support ONVIF, GB/t28181, RTSP, RTMP protocol, support RTMP push mode, easy linkage with streaming media server
- Multiple remote control supported: infrared remote control, wireless remote control, and 2.4G wireless remote controller
- Low power sleep function: Support low power sleep/wake and consumes less than 400mW in sleep mode

Description

DSP9213 has perfect function, excellent performance, and rich interface. Advanced ISP processing technology and algorithm make the image vivid, the brightness even, the color level clear, the definition high, and the color reduction good. It supports H.265/H.264 coding. Image is clear even under low bandwidth.

Dimension



Specification

Model	DSP9213
Image Sensor	1/2.8 inch 500 million pixel high-quality CMOS sensor
Effective Pixel	210 million (16: 9)
Video Signal	1080P60/50/30/25/59.94/29.97; 1080I60/50/59.94; 720P60/50/30/25/59.94/29.97
Lens Zoom	12 times optical $f=3.9\sim 46.1\text{mm}$
Visual Angle	6.3° (Narrow angle) $\sim 72.5^\circ$ (Wide angle)
Aperture Factor	F1.8 \sim F2.4
Digital Zoom	X10
Minimal Illumination	0.5Lux(F1.8, AGC ON)
DNR	2D & 3D Digital Noise Reduction
White Balance	Manual/Automatic/One-click white noise / 3000K/ 4000K/5000K/6500K
Focus Mode	Manual/Automatic
Aperture Mode	Manual/Automatic
Electronic Shutter	Manual/Automatic
BLC	On/Off
WDR	Off/Dynamic level adjustment
Video Adjustment	Brightness, Chroma, Saturation, Contrast Ratio, Acuteness, Black-white mode, Gamma curve
SNR	>55dB
Video Interface	DVI (HDMI, Ypbpr), 3G-SDI
Image Data Rate	Dual Stream output
Video Compression Format	H.265, H.264
Control Interface	RS-232, with RS232 loop output
Control Protocol	VISCA/Pelco-D/Pelco-P Baud Rate: 115200/9600/4800/2400bps
Audio Input Interface	Dual track 3.5mm Linear input
Audio Compression Format	AAC, MP3, PCM
Network Interface	100M Network interface (10/100BASE-TX) 5GWiFi (optional), support Network VISCA control protocol;
Network Protocol	RTSP, RTMP, ONVIF, GB/T28181
Power Interface	HEC3800 power interface (DC12V)
Horizontal Rotation	-170° \sim +170°
Pitching Rotation	-30° \sim +90°
Speed of Horizontal Rotation	0.1 \sim 100°/s
Speed of Pitching Rotation	0.1 \sim 45°/s
Speed of Preset Position	Horizontal: 100°/s, Pitching :45°/s
No. of Preset Position	Maximum 255 (10 remote controller)
Power Adapter	Input AC110V-AC220V, Output DC12V/1.5A
Input Voltage	DC12V \pm 10%

Input Current	1A (max)
Power Consumption	12W (max)
Storage Temperature	-10°C~+60°C
Storage Humidity	20%~95%
Working Temperature	-10°C~+50°C
Working Humidity	20%~80%
Dimension (W×H×D)	258mmX172mmX169mm
Weight	1.54kg
Application	Indoor
Remote maintenance (Network Interface)	Remote upgrade, reboot and reset
Attachments	12V/1.5A power, RS232 control wire, remote controller, user manual, warranty card
Optional Attachments	Installation bracket