

## MAG6388 120W Network Column Speaker



### Description

The .MAG6388 network column speaker is a network all-digital analog-digital conversion signal processor with high-fidelity speaker based on TCP/IP transmission protocol. The modern network play terminal can be mounted to any place with access to network. The machine can output the remote audio data stream as the audio signal and give a sound directly, with intelligent control of the host.

### Features

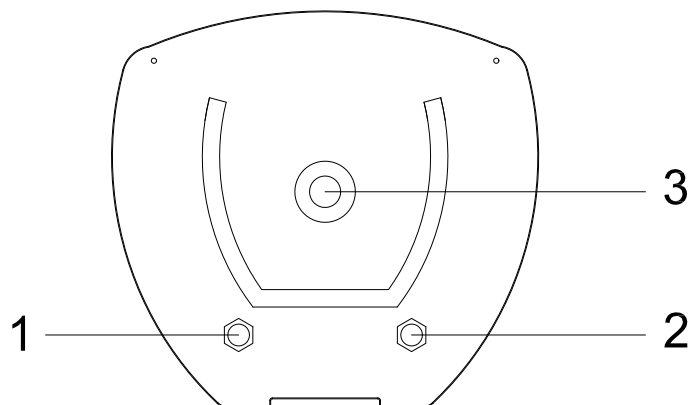
- Adopt all-weather design and waterproof unit, applicable to indoors and outdoors, with long service life, high sensitivity ( $92\pm 2\text{dB}$ ), and clear and bright sound.
- Maximum sound pressure level of  $108\pm 2\text{dB}$ , and effective frequency range of  $80\text{Hz} \sim 16\text{kHz}$ .
- Can be mounted to any place with access to network.
- Support 16bit digital audio stream decoding at a maximum sampling rate of 48kHz.
- Built-in  $1\times 120\text{W}$  digital amplifier, with low power consumption.
- Can play background music, emergency paging and alarm signals from the system host.
- Adopt aluminum mesh, no rust.
- Two-way structure, wider frequency band.
- With waterproof structure, waterproof grade IPX6.

### Specifications

| Model           |                    | MAG6388                        |
|-----------------|--------------------|--------------------------------|
| Acoustic System | Driver Unit        | 8 " × 2,1 " × 1                |
|                 | Sensitivity(1m,1W) | $92 \pm 2\text{dB}$            |
|                 | Max.SPL(1m)        | $108 \pm 2\text{dB}$           |
|                 | Freq. Resp.        | 80Hz-16kHz( $\pm 3\text{dB}$ ) |

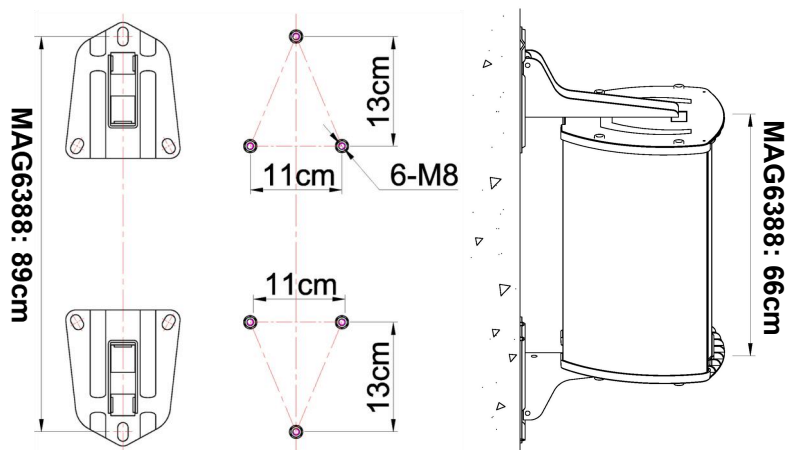
|                              |                   |                         |
|------------------------------|-------------------|-------------------------|
| NET Play                     | Rated Power (RMS) | 120W                    |
|                              | Freq. Resp.       | 50Hz-16kHz( $\pm 3$ dB) |
|                              | Distortion        | $\leq 0.5\%$            |
|                              | SNR               | $\geq 70$ dB            |
| Power Supply                 |                   | AC220V/50Hz             |
| Package Dimension (L×W×H mm) |                   | 285×315×775             |
| Machine Dimension (H×W×L mm) |                   | 230×250×665             |
| Gross Weight                 |                   | 15.7kg                  |
| Net Weight                   |                   | 12.2kg                  |

## Product Information



- 1. Network interface**  
Connected to the network cable.
- 2. AC220V power input**
- 3. Mounting hole**

## Installation Diagram



## Installation Method

- Select an appropriate position to install six M8 expansion bolts on a vertical surface where the column speaker needs to be installed, and then mount the brackets and fix it, as shown above.
- Connect the power cable and network cable.
- Adjust the speaker angle and check whether it is secure and stable.