

LA1512

Line Array Speaker



Description

LA1512 full-range line array speaker combination features input voltage of 100V and RMS power of 200W and it meets the important need of versatile public address system that can provide high-quality sound reinforcement for a wide range of different venues. It has three installation methods: ceiling, wall-mounted, and stand-mounted installation. With all weather design, it is ideal for indoor and outdoor venues.

Features

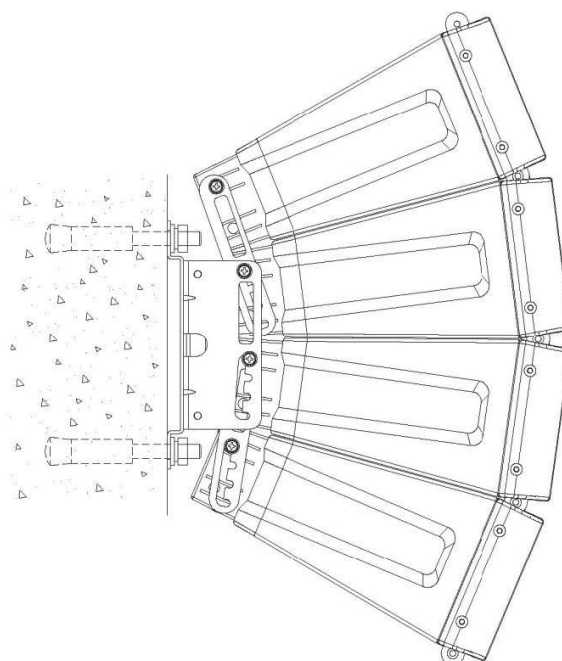
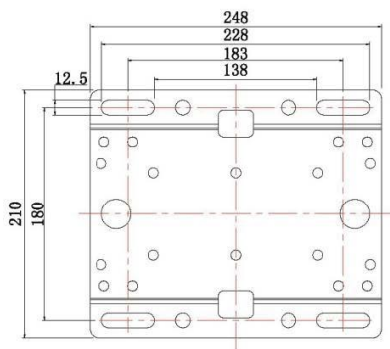
- With high sensitivity and high SPL., can stack up to 4 units, and can connect up to 2 groups.
- With adjustable vertical directivity angles: 60°, 45°, 30° and 15°.
- 70/100V, rated power of 200W, suitable for different fields.
- With optional installation methods: ceiling, wall-mounted, and stand-mounted installation.
- All weather design, ideal for indoor and outdoor venues, can connect a subwoofer to increase low frequency sound.

Specifications

Model	LA1512
Frequency Response (-10dB)	70-20000Hz 60° mode, 75-20000Hz 45° mode 80-20000Hz 30° mode, 85-20000Hz 15° mode
Sensitivity (1m, 1W)	96dB 60° mode, 97dB 45° mode 98dB 30° mode, 99dB 15° mode

MAX. SPL. (1m)	122dB/128dB (peak value)
Input Voltage	100V
Rated Power	200W
Horizontal Directivity Angle (-6dB)	100°
Vertical Directivity Angle (-6dB)	15°~60° adjustable
Driver Unit	4.5" woofer×4 (low and intermediate frequency); 1" tweeter×12 (high frequency)
Shell Material	ABS
Operating Temperature	-15°C~+50°C
Dimension (L×W×H)	406mm×342mm×544mm
Net Weight	15.5kg

Installation



1. According to the related size on the rear panel of the speaker, mount 4 pieces of expansion bolt (M12) on the ideal mounting surface (wall, ceiling, etc.), and take away the gasket and nut of the expansion bolts.
2. Push the expansion bolts to the 4 runway shaped holes on the rear panel of the speaker, then fix the gasket and nut.
3. Connect the speaker to the amplifier, and check whether it is installed firmly.