

DSP168E

25W PoE Ceiling Speaker



Description

DSP168E is a standard PoE switch supporting both PoE+ (IEEE 802.3at) and PoE++ (IEEE 802.3bt) standards. It features a built-in digital amplifier to minimize noise and is equipped with comprehensive protection functions, including temperature and short-circuit protection, ensuring high operational safety. The device supports broadcast and paging over a local area network, offers wide sound dispersion, is easy to install, and delivers outstanding voice and music reproduction.

Features

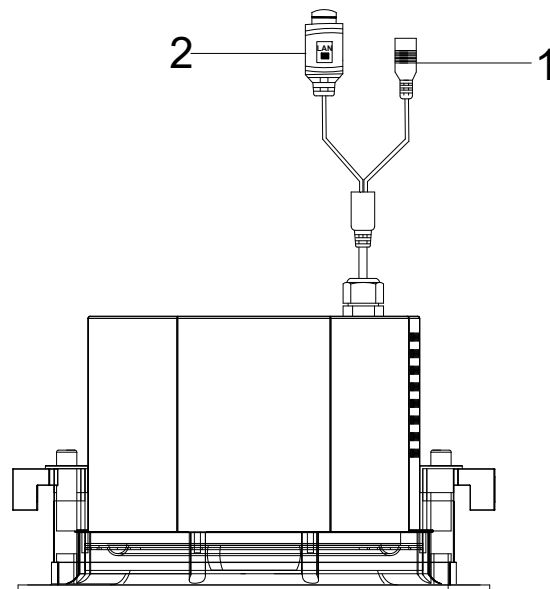
- Delivers clear and detailed sound with excellent speech reproduction.
- Built-in digital power amplifier, low distortion, low noise and large dynamic range.
- With the self-protection function, including temperature protection and short circuit protection.
- Can play background music, emergency paging, alarm signals, and others from the system host.
- Made of high-quality injection-molded engineering plastic, offering long-lasting durability without deformation or discoloration.

Specifications

| Model | | DSP168E |
|-----------------|----------------------|---------|
| Acoustic System | Sensitivity (1m, 1W) | 89±3dB |
| | Max. SPL (1m) | 102±3dB |

| | | | |
|---------------------|---------------------------------------|----------------------|---|
| System Amplifier | NET Playback Built-in Amplifier | Frequency Response | 44Hz-20kHz |
| | | Frequency Response | 80Hz-16kHz (±3dB) |
| | | Playback Sensitivity | -10dB |
| | | Distortion | ≤1% |
| | | SNR | ≥76dB |
| | | Power Supply | PoE+, PoE++, DC24V/2A |
| | | Rated Power (RMS) | 802.3at(PoE+) 15W、802.3bt(PoE++) 25W, DC24V 25W |
| | | Package Size | 280×280×205mm |
| | | Product Size | ∅233* 170mm |
| | | Gross Weight | 3kg |
| Net Weight | 2.25kg | | |

Front / Rear Panel



1. DC24V Power Input Cable
2. Network Cable

Product Connection

