

DSP203N DSP403N

Network Indoor Column Speaker



Description

This product is a network column speaker. It is made of high-quality birch, and the speaker unit adopts primary color seaweed salvaged pulp drum paper and full-range double-cone speaker for wider frequency response. It is equipped with mounting bracket for easy installation.

Features

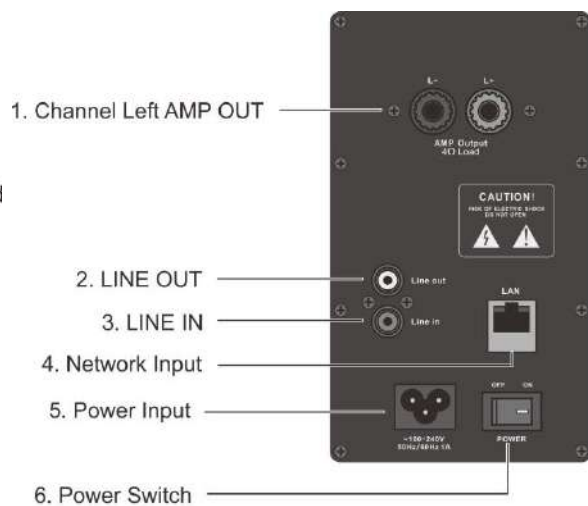
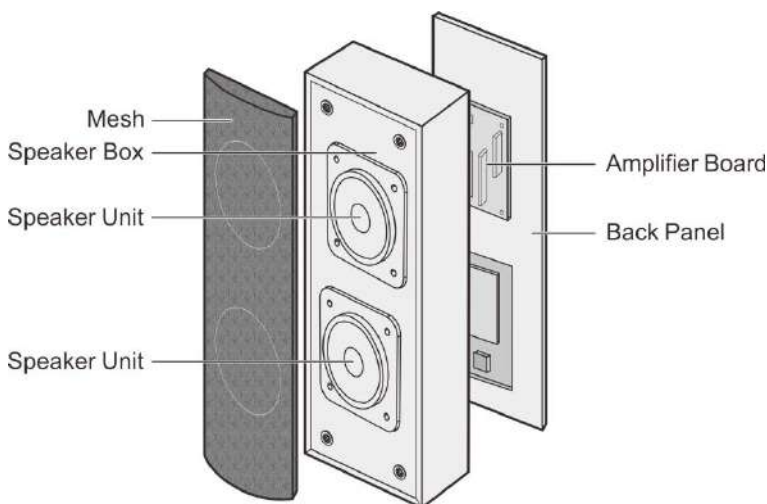
- 10/100M adaptive, support DHCP/static IP settings.
- Support standard SIP protocol.
- Support protocols: DHCP, UDP, ICMP, IGMP (multicast).
- Use primary color seaweed salvaged pulp drum paper and full-range double-cone speaker for wider frequency response, and clear, bright and authentic sound.
- The speaker box is made of high-quality fiberboard and birch cold-pressed veneer to effectively prevent resonant sound.
- Designed with main and sub speakers.
- Equipped with mounting bracket, easy to install.
- DSP203N RMS 2×15W, DSP403N RMS 2×30W.
- With 1 LINE IN and 1 LINE OUT.

Specifications

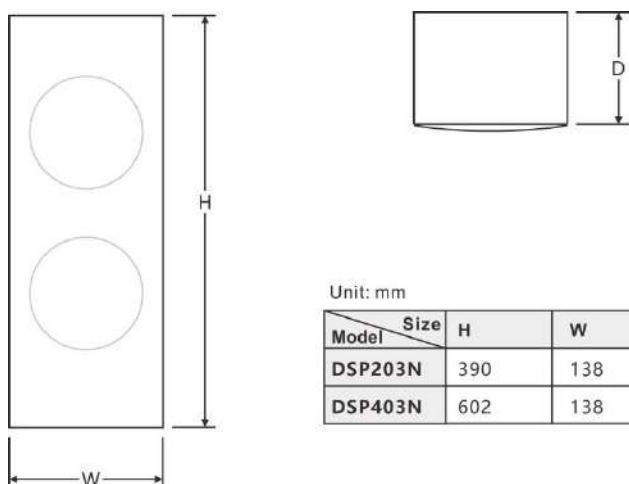
Items	Specifications	DSP203N	DSP403N
Acoustic System	Speaker Unit	4"×2	4"×4
	Sensitivity (1m, 1W)	90±2dB	94±2dB
	MAX. SPL. (1m)	99±2dB	108±2dB
	Frequency Response	200Hz-10KHz	200Hz-10KHz

Amplifier System	Amplifier	Rated Power (RMS)	2×15W/4Ω	2×30W/8Ω
		Frequency Response	80Hz-18KHz	80Hz-18KHz
		S/N Ratio	≥71dB	≥71dB
		Distortion	≤1%	≤1%
	LINE IN	Input Impedance	>10kΩ	>10kΩ
		Input Sensitivity	1000mV	1000mV
LINE OUT	Output Sensitivity	1000mV	1000mV	
Network Interface		RJ45 (10/100M)		
Others	Audio Priority	Fire Alarm>Paging>Camera Trigger>Chime>Timing>Net Audio=Audio Collector>AUX IN		
	Power Input	~100-240V 50Hz/60Hz 1A		
	Dimensions (H×W×D)	390×138×120mm	682×138×120mm	
	Weight	3.0kg	5.0kg	

Production Information

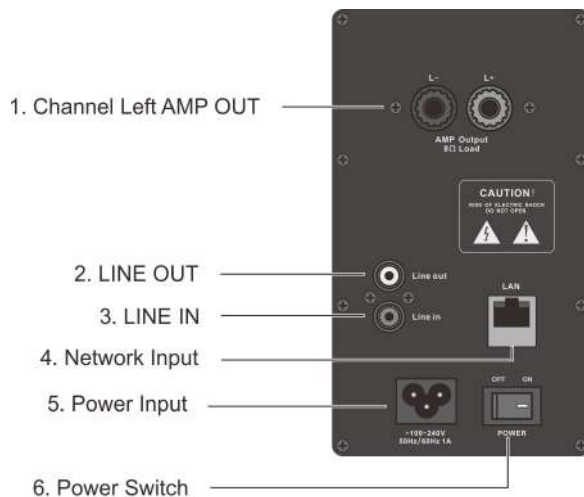


Rear Panel of DSP203N Main Speaker



Unit: mm

Model	Size	H	W	D
DSP203N		390	138	120
DSP403N		602	138	120

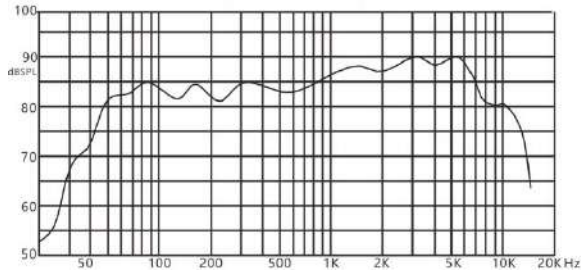


Rear Panel of DSP403N Main Speaker

Technical Parameters

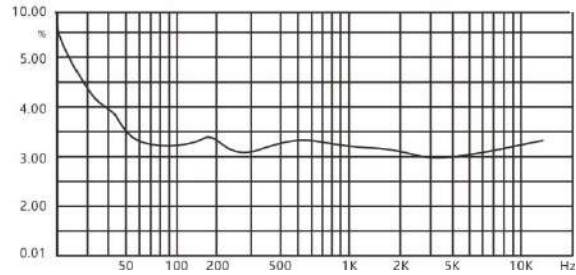
DSP203N Frequency Response

(dB SPL, 1W, 1m)



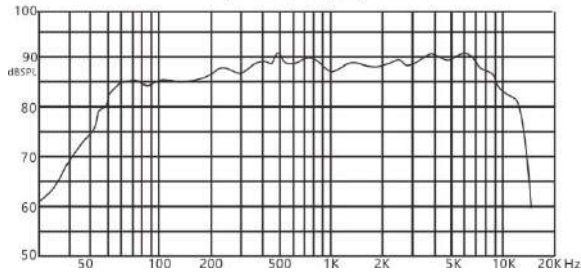
DSP203N Distortion

(THD < 5% 1W, 1m, 100Hz-10kHz)



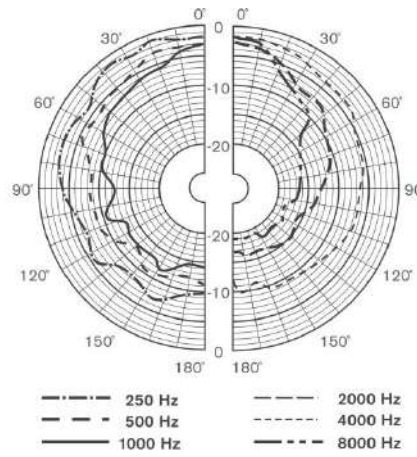
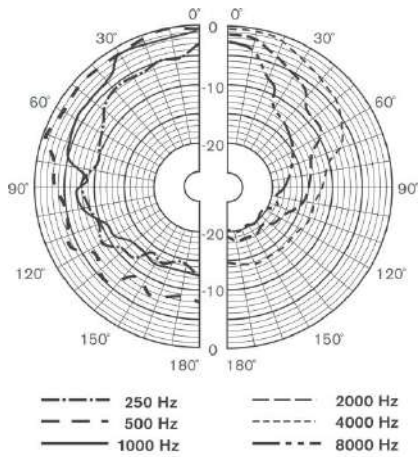
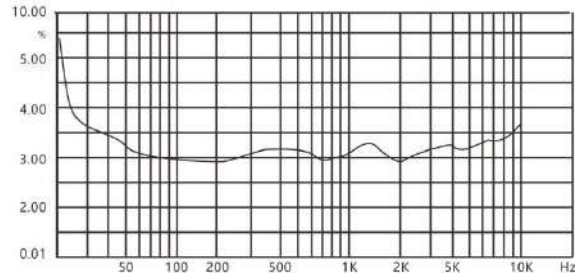
DSP403N Frequency Response

(dB SPL, 1W, 1m)



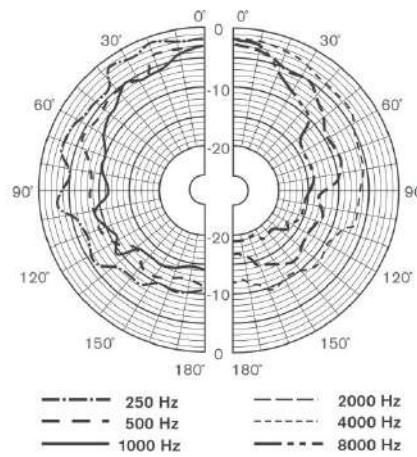
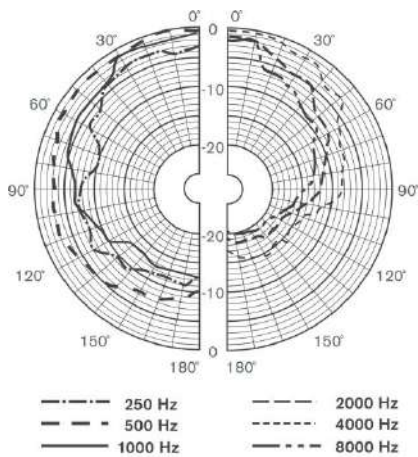
DSP403N Distortion

(THD < 5% 1W, 1m, 100Hz-10kHz)



DSP203N Horizontal Directivity

DSP203N Vertical Directivity

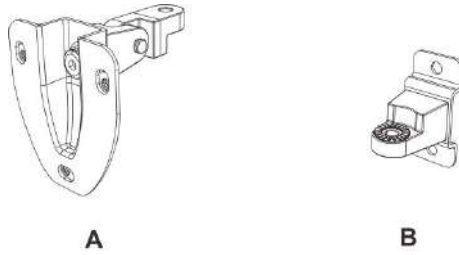


DSP403N Horizontal Directivity

DSP403N Vertical Directivity

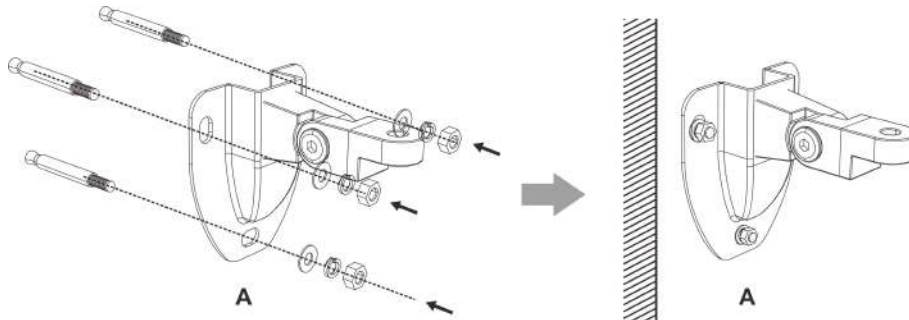
Installation (Take DSP203N for an Example)

- ① Assemble the bracket into two parts, A and B.



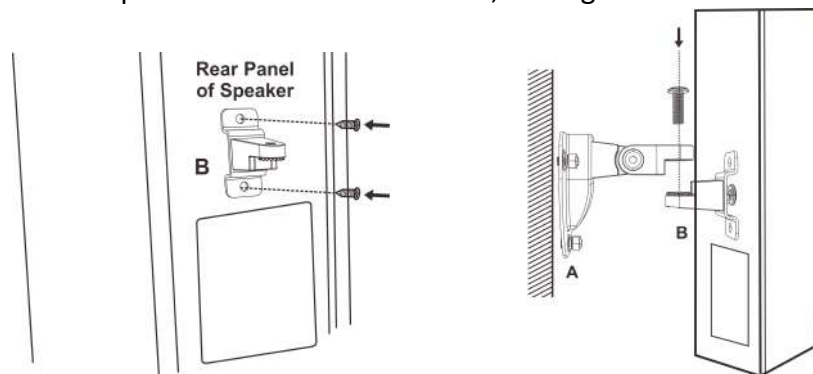
Bracket

- ② Install 3 expansion screws in an appropriate position for installation, and fix A on the expansion screws with nuts. (Please pay attention to the installation height! It is recommended that the height of the speaker be 1.8m to 2m high from the ground.)



- ③ Attach B to the rear panel of the speaker with screws.

- ④ Connect B attached to the speaker to A fixed on the wall, and tighten the screw to fix it.



- ⑤ Connect the sub speaker, network cable, power cord, etc. as needed.

- ⑥ Finally, adjust the angle of the speaker, check whether the speaker is installed firmly, and complete the installation.

