

D6234B

Embedded Digital Delegate Microphone with Voting Function



Description

D6234B Embedded Delegate Microphone is a professional conference system Microphone with Removable 5-core spiral microphone jack and easy to operate. Not only does it have exquisite embedded structure design but also with strong anti-interference capability. It can be integrated with the D6201 series of conference systems to form a comprehensive solution for high-quality conference systems.

Features

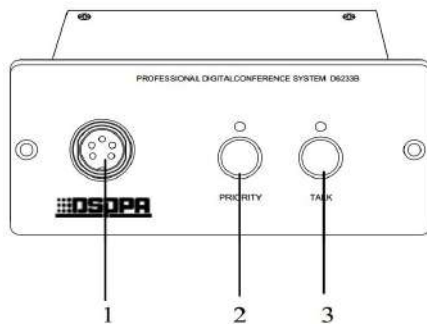
- Conform to IEC 60914 international standard.
- Embedded design, Mic pole detachable, convenient for use.
- Electret cardioid condenser microphone, gooseneck design, with windshield cover.
- Two colors indicators, red stands for speaking, green stands for apply to speak.
- Every Mic with unique ID code, can be set up via host D6201.
- With camera tracking function, can be set up via host D6201 or PC software.
- Power supply from the host/extender, working power DC 24V.
- Support cascaded linkage, T shape linkage or + shape linkage.
- Chairman Mic with priority functions, can be set up via host D6201 or PC software.

Specifications

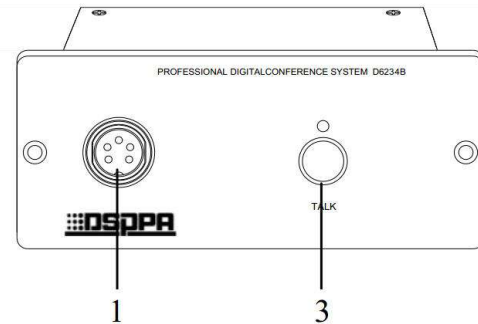
Model	D6234B
Output Freq.	45Hz-18kHz(-3dB)
SNR	80dB
Distortion	0.5

Earphone Output	9dBu, 8-32Ω, 3.5mm
Mic Freq. Response	40Hz-20kHz(-3dB)
Sensitivity	45dBV/pa
Mic Max SPL	125dB(THD3)
Capsule Type	Electret Cardioid Condenser
Speaker Power	1.5W
Stand-by Power Consumption	1W
Max Power Consumption	2W
Working Power	DC 24V
Dimensions (without Mic Pole)	107x38mm
Net Weight (with Mic Pole)	1kg

Front / Rear Panel



Chairman unit top view



Delegate unit top view

1. Microphone jack

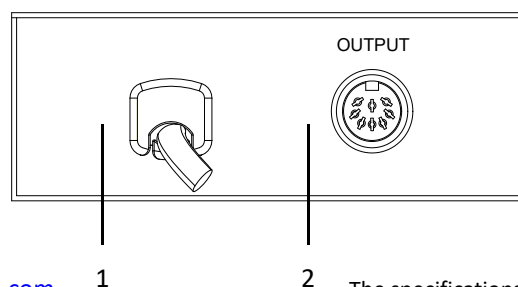
- Removable 5-core spiral microphone jack.

2. Chairman priority

- Chairman priority button and indicating light
- When the Chairman priority button is pressed, the conference unit delivering a speech will be mute or closed.

3. Microphone power on/off button and its indicating light

- Delegate unit microphone on/off button/speech application button and button indicating light. The indicating light is one when this button is pressed to power on the microphone; the indicating light blinks when this button is pressed to send a speech application, when the conference units are renumbered and when the camera tracks the spokesman.
- The indicating light blinks when the button is pressed to power on the microphone, when the conference units are renumbered and when the camera tracks the spokesman.



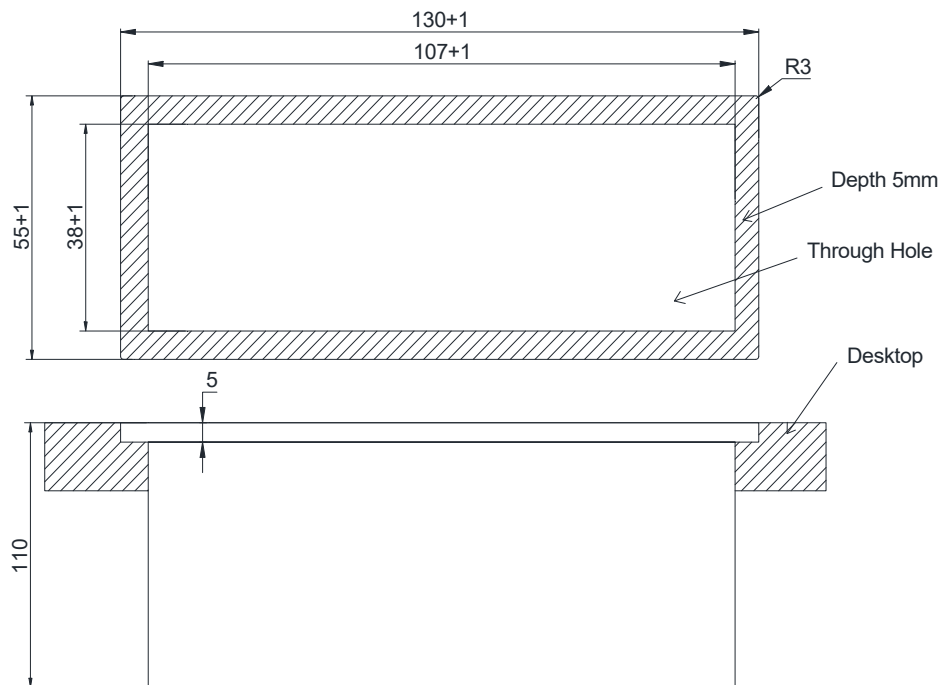
1. Input port

- When extended with multiple connecting boxes, this port is connected to the OUTPUT of the previous connecting box.
- When extended with other devices, one end of the extension cord can be connected to the connecting box, and the other end can be connected to the 8-core DCN standard plug. Generally, this port does not directly connect to the system host.

2. Output port

- When extended with multiple connecting boxes, this port is connected to the INPUT of the next connecting box.
- When extended with other devices, one end of the extension cord can be connected to the connecting box, and the other end can be connected to the 8-core DCN standard plug.

System Diagram



D6233B/D6234B Mounting Hole Size Drawing