

LA1421A

Active Array Speaker



Description

This product is an active line array speaker, with high power and high SPL.. The speaker box body is made of special plywood for sea vessels, with high reliability, and all metal accessories are made of high-quality aluminum alloy. It is powered by high peak power switching power supply, with Class-D independent power amplifier.

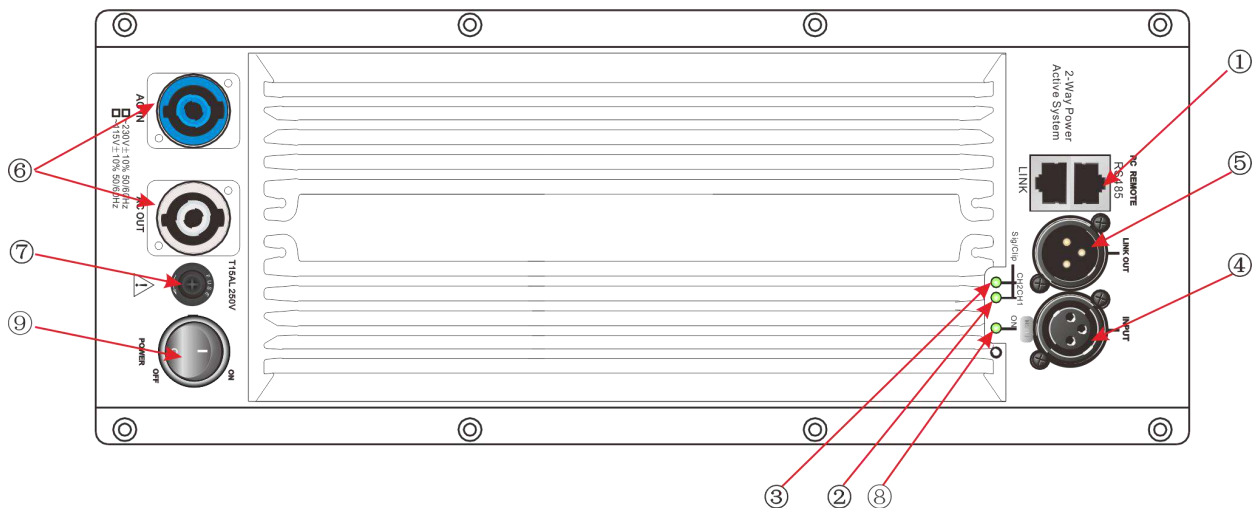
Features

- This system is a small line array system, with high power and high SPL..
- The speaker box body is made of special plywood for sea vessels, with high reliability, and all metal accessories are made of high-quality aluminum alloy.
- Powered by high peak power switching power supply, with Class-D independent power amplifier.
- Excellent for mobile applications.

Specifications

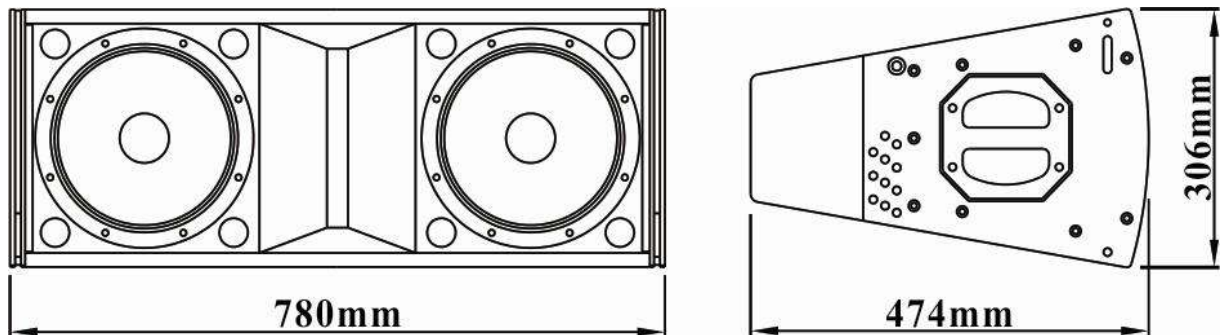
Model	LA1421A
Unit Structure	10" woofer×2, 3" tweeter×2
Frequency Response	60 Hz – 20000 Hz
Speaker Sensitivity (converted to 1m, 1W)	103±2dB
MAX. SPL.	131±2dB
Active Signal Input Impedance	20 kΩ
Amplifier Power	1000W
Amplifier Input Sensitivity	0.775V
Directivity (H×V)	120°×5°~ 20° (Depend on the number of arrays)
Amplifier Distortion	<0.05%
Working Voltage	AC190V~240V/50Hz
Dimensions (W×D×H)	780mm×474mm×306mm
Weight	28kg

Amplifier Panel



- ① Control Interface: Connected to the computer through RS485, and a RS232-USB interface is required for conversion.
- ② CH1 Indicator: Flashing green for signal indication, while flashing red for signal overload indication.
- ③ CH2 Indicator: Flashing green for signal indication, while flashing red for signal overload indication.
- ④ Input Interface: XLR signal input. (1: GND, 2: +, 3: -)
- ⑤ Output Interface: XLR input signal straight-through port. (1: GND, 2: +, 3: -)
- ⑥ Power Input: AC 220V 50Hz.
- ⑦ Safety Device: 15A.
- ⑧ Power Indicator: If this indicator light is on, the power supply is connected.
- ⑨ Power Switch.

Basic Dimensions



Installation Method

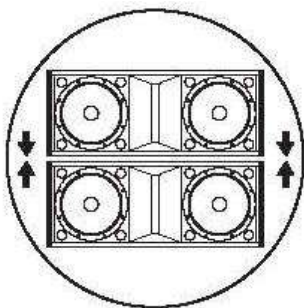


Figure A

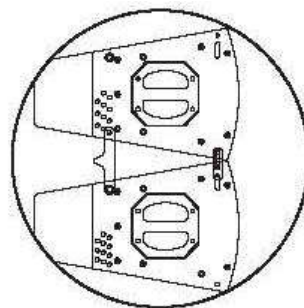


Figure B

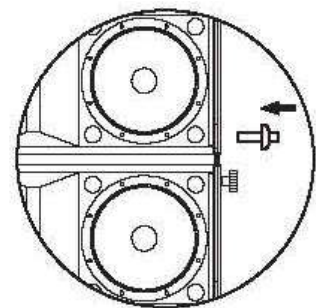


Figure C

1. Arrange the array speakers in parallel (Figure A).
2. Pull out the connectors and bolts (Figure B).
3. Align the connectors with the mounting holes as needed and insert the bolts (Figure C).