

DSP630

15W Mushroom Speaker System



Description

The DSP630 is a landscape garden speaker with a 70v/100v transformer built in. The 70v/100v transmission is realized in a high-voltage, low-current mode, which makes longer distance transmission and parallel connection of multiple loudspeakers possible.

The high quality engineering plastic enclosure is of mushroom shape and has weatherproof and heavy damage proof finish. Easy and secure wall mount installation in outdoor area.

It is an ideal choice for industrial and commercial applications in the outdoor area of train station, shopping mall, parking area and factory where background music and paging is needed.

Features

- Rated power 15W
- Max SPL: 103±2dB
- high-class resin material
- 360° directional characteristic
- Built-in 100V/70V transformer
- Wide Freq.Resp.:100Hz-8kHz
- High sensitivity: 90±2dB
- Landscape garden type loudspeaker

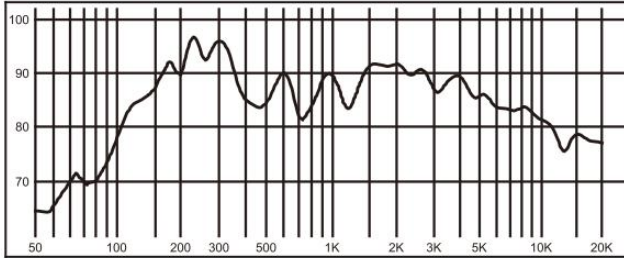
Specifications

Model	DSP630
Rated Power	15W
Line Voltage	70/100V
Sensitivity(1M,1W)	90±2dB
Max SPL(1M)	103±2dB
Freq. Resp	100Hz-8kHz
Dimension(L×W×H)	∅410×480mm
Weight	7kg

Product Information

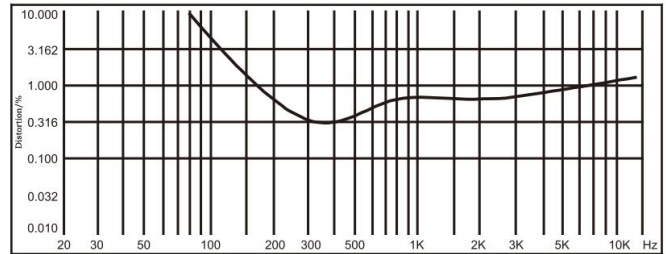
FREQ. RESPONSE

(dB SPL, 1W, 1m)

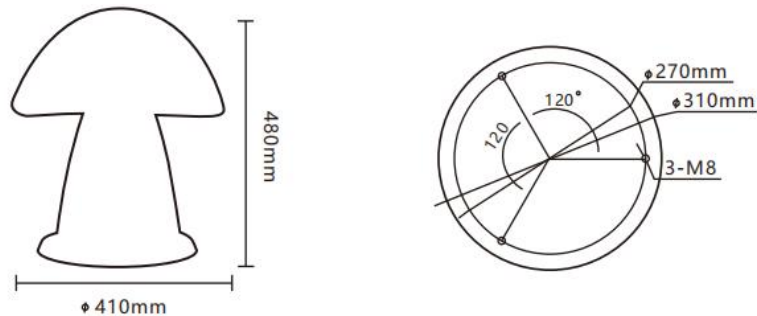


DISTORTION

(THD < 1.5% 1W, 1m, 100Hz-10kHz)



Installation



Notice: Due to the construction environment and product features above are for reference only, please check the product after the construction.

- ① Setup a foundation like a round platform with concrete and set 3 screws (8mm) stretching out 3cm in it as shown above after concrete acidify continue;
- ② Connect audio broadcasting wire to the speaker terminals according to the table below;

Power Terminals	Voltage	70V	100V
Black---Blue		8W	15W
Black---White		15W	—

Notice: “—” This method should be only used on large signal transmission loss.

- ③ Fix the speaker system on screws of the foundation;
- ④ Finally, examine whether it is steady.